

Schroeder BIOfuels

Feb 13th, 11am EST Monthly Webcast

- Jonathan Dugan, Product Manager – Schroeder Biofuels

Conference Bridge details:
From the US – 1.866.212.0875
Dial code: 990377 then #

-Bridge will be open 5-10 minutes before webcast starts –
- Please press *6 to mute your phone upon logging in -

Agenda

- Where we've been, where we've going
- Detail on new system designs
- Upcoming trial program
- New eco2pure media pricing
- Questions

Schroeder BIOfuels

Where we've been



Where we've been, where we're going

The travel log:

- West coast Multi Tower EWU System commissioning
- National Biodiesel Show in San Francisco

Upcoming schedule:

- Full webcast on single tower EWU Skids
- Full webcast on cold soak solutions



Schroeder BIOfuels

New Eco2pure Systems

EWU Multi Tower Purification Systems

Specs

- Flows range from 2.5 – 20 gpm
- Built for eco2pure purification media
- Self monitoring, VFD/PLC-driven automation
- Ethernet capable
- Serviceable online for continuous production
- Available with online particle and water monitoring sensors
- Perfect for plants from 1 – 10 Million gallons per year

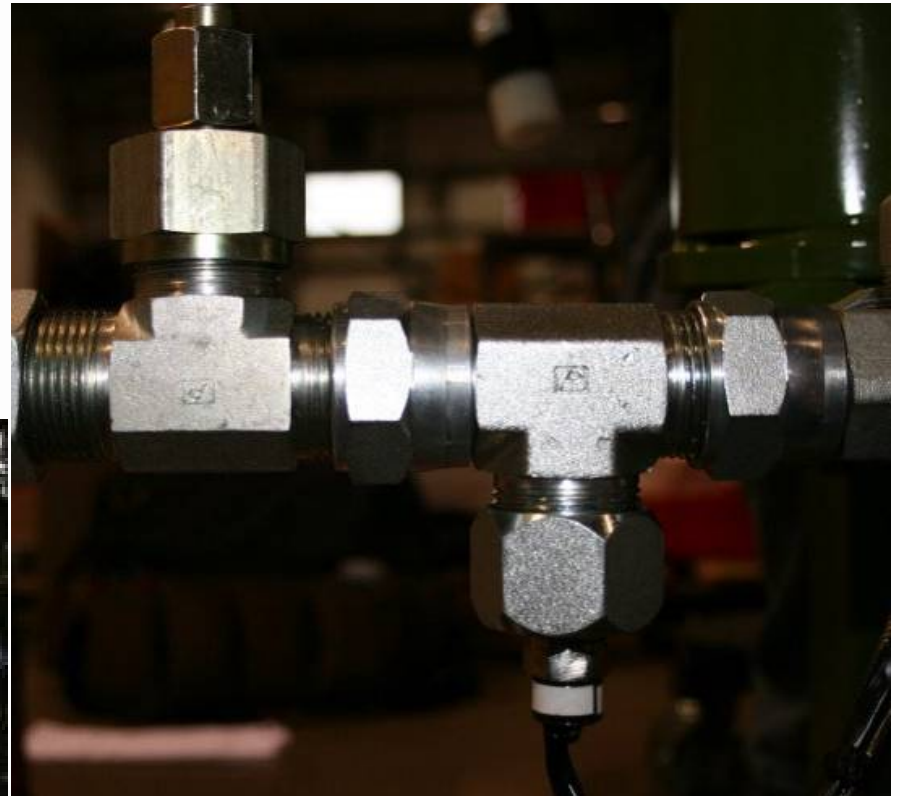


Schroeder BIOfuels

EWU Multi Tower Purification Systems

Protection sensors

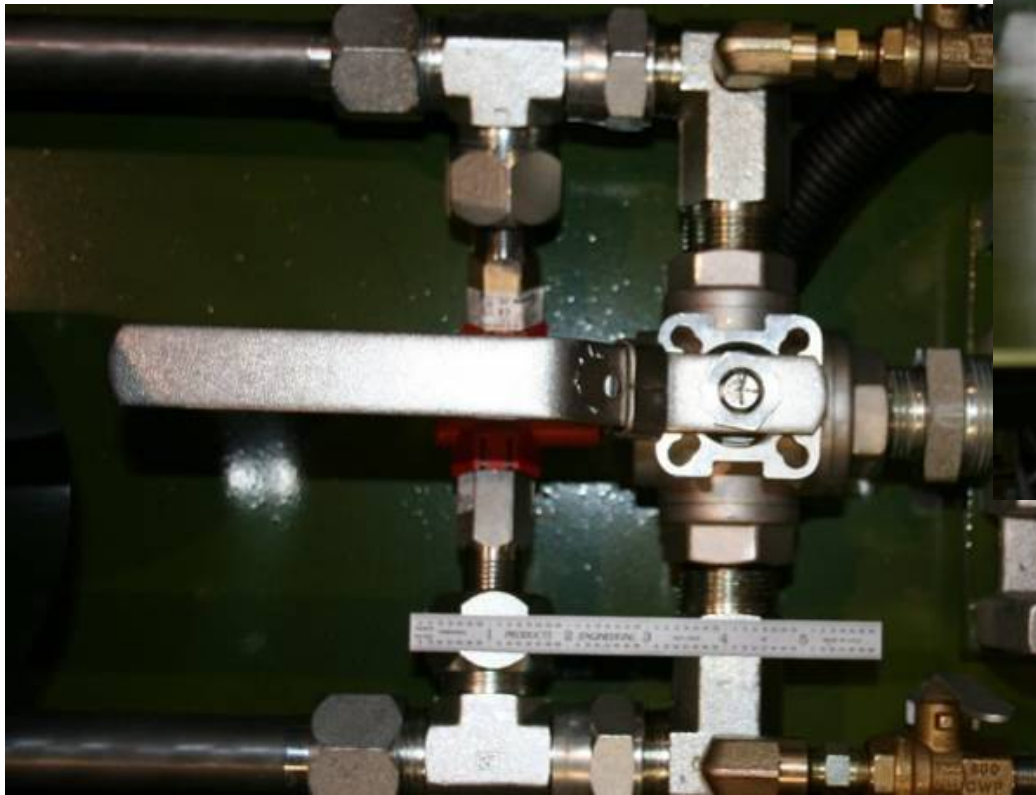
- RunDry™ Pump Sensor
- Thermal Overload Sensor
- Particle Counter Protection



EWU Multi Tower Purification Systems

Operator Assisted

- Plug and Play Towers
- Online filter change outs



Schroeder BIOfuels

EWU Multi Tower Purification Systems

Tower servicing

- Restrained until change out
- System includes change out unit



Schroeder BIOfuels

EWU Multi Tower Purification Systems

More information/ configuration options:

-See our website

www.schroederbiofuels.com

-See YouTube

www.YouTube.com/schroederbiofuels

(Digital picture flipbooks)

For pricing/ordering:

Contact any of our distributors

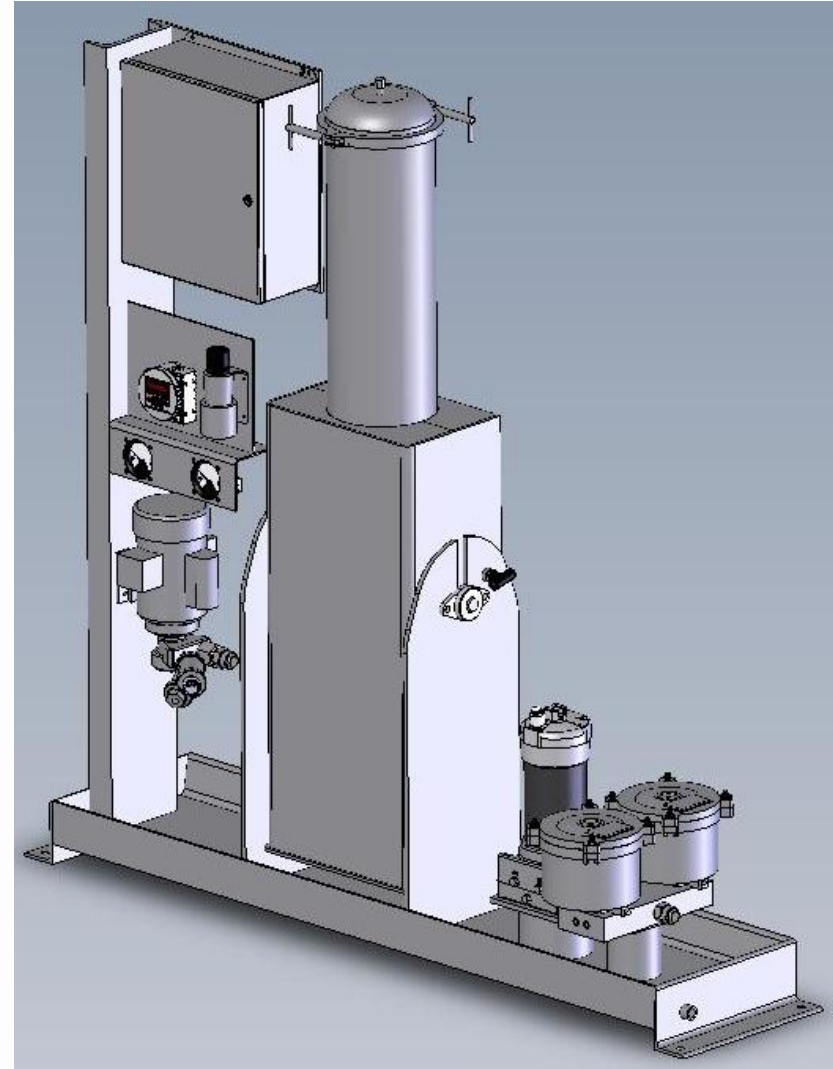


SchroederBIOfuels

EWU Single Tower Purification Systems

Specs

- Flows range from 1.25 – 2.5 gpm
- Built for eco2pure purification media
- Sized for the light industrial producer
- Integrated tower dumping feature
- Available with online particle and water monitoring sensors
- Perfect for plants from 500,000 to 1 Million gallons per year



Schroeder BIOfuels

Schroeder BIOfuels

Upcoming Trial Programs

eco2pure Purification Media

Onsite trials

- Starting in March, 1.5 gpm complete units (pump, tower, filter) available to try the product in your current operation
- Perfect to take a side stream from current flow
- 4 units in rotation, first come first serve
- Contact your distributor to set up a trial after Feb 23rd.



Schroeder BIOfuels

New Eco2pure Media Pricing

eco2pure Purification Media

Specs

- Sustainable, “single pass” purification media
- Each kilogram (kg) of eco2pure is effective at purifying 110 – 180 gallons of crude biodiesel
- Spent eco2pure is tested to have a solid fuel value of about *19,000,000* BTU/Kg
- Per gallon cost as low as \$0.02



eco2pure Purification Media

Using it.

- Pack tightly into column
- Install filter pads on top and bottom of media bed
- Flow from bottom to top
- ~14 minutes of contact time or flow rate spec'd for column
- Pass fuel through downstream filter before shipping

Applying it.

- Use as-is
- Before your current IOX to remove soaps and extend IOX life



eco2pure Purification Media

Pricing it.

New List Pricing – Starting 2/17

- P/N EPM-15K-S
- Single Bags - \$96.00
 - \$6.40/kg
- Pallet (20 Bags) - \$85.72/bag
 - \$5.71/kg



Schroeder BIOfuels

Questions?

Thanks for your time...

<http://www.schroederbiofuels.com/dsign.php>